

Part number

# PB 16003 PV



Mobile socket outlet, PLUSO series, 3 poles,  
16 A, 20 ÷ 25 V

| Product description                               |                  | Material properties                  |  |
|---|------------------|--------------------------------------|--|
| <b>Product type</b>                               | Socket<br>Mobile | <b>Colour</b>                        | RAL 7035 grey, RAL 4001 lilac  |
| <b>Series</b>                                     | PB...PV, PLUSO   | <b>RoHs conformity</b>               | Compliant with exemption<br>6(c): copper alloy containing up to 4% lead by<br>weight |
| <b>N. of poles</b>                                | 3 poles          | <b>China RoHs - EFUP</b>             | 50   |
| <b>Clock position</b>                             | No key way       | <b>REACH SVHC substances</b>         | Yes<br>Lead  |
| Technical data                                    |                  | <b>SCIP number</b>                   | Ca7de37f-add8-4b77-9861-279c94903ade   |
| <b>Current</b>                                    | 16 A             | Approvals / Standards                |  |
| <b>Voltage</b>                                    | 20 ÷ 25 V        | <b>Reference standard</b>            | EN 60309-1 and -2  |
| <b>IP degree of protection</b>                    | IP44             | General ordering information         |  |
| Further technical details                         |                  | <b>EAN13 code</b>                    | 8015747060790  |
| <b>Weight</b>                                     | 155,50 g         | Packaging Information                |  |
| <b>Operating temperature<br/>range (min, max)</b> | -25°C ... +40°C  | <b>Packaging length</b>              | 220,00 mm  |
|   |                  | <b>Packaging height</b>              | 130,00 mm  |
|   |                  | <b>Packaging width</b>               | 240,00 mm  |
|   |                  | <b>Sub-packaging weight</b>          | 1,56 kg  |
|   |                  | <b>Sub-packaging description</b>     | Carton box   |
|   |                  | <b>Sub-packaging quantity</b>        | 10 Pcs   |
|   |                  | <b>Sub-packaging EAN<br/>barcode</b> | 8015747060806  |

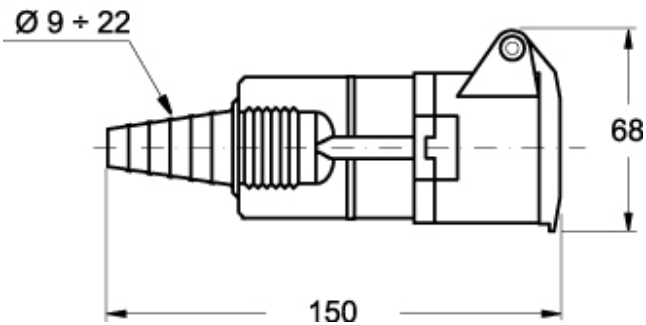
Part number

# PB 16003 PV



Catalogue drawings

(16 / 32A) PB ... PV



## Notes

Dimensions shown in mm are not binding and may be changed without notice.

- Compliant with EN 60309-1 and -2
- Enclosure, insert and spring lid in insulating, thermoplastic, self-extinguishing material
- RAL 7035 grey enclosure
- Spring lid colour coded according to the operating voltage and frequency
- Wall-mounting types PB...PP, top entry with threaded grommet (replaceable with cable gland)
- Flush-mounting types PB...PI, flange with anti-aging gasket
- Coupler types PB...PV, cable anchoring collar incorporated in the insert, entry with grommet
- Terminals with retained screws
- Nickel-plated contacts on request
- IP44 degree of protection (EN 60529)