

Part number

PB 16003 PI



Flush-mounting socket outlet, PLUSO series, 3 poles, 16 A, 20 ÷ 25 V, straight

Product description

Product type	Socket Flush-mounting
Series	PB...PI, PLUSO
N. of poles	3 poles
Clock position	No key way
Specification	Straight

Technical data

Current	16 A
Voltage	20 ÷ 25 V
IP degree of protection	IP44

Further technical details

Weight	108,70 g
Operating temperature range (min, max)	-25°C ... +40°C

Material properties

Colour	RAL 7035 grey, RAL 4001 lilac
RoHs conformity	Compliant with exemption 6(c): copper alloy containing up to 4% lead by weight
China RoHs - EFUP	50
REACH SVHC substances	Yes Lead
SCIP number	Ca7de37f-add8-4b77-9861-279c94903ade

Approvals / Standards

Reference standard	EN 60309-1 and -2
---------------------------	-------------------

General ordering information

EAN13 code	8015747060752
-------------------	---------------

Packaging Information

Packaging length	195,00 mm
Packaging height	135,00 mm
Packaging width	155,00 mm
Packaging weight	1,22 kg
Packaging volume	4,08 dm ³
Packaging description	Carton box
Packaging quantity	10 Pcs
Packaging EAN code	8015747221580

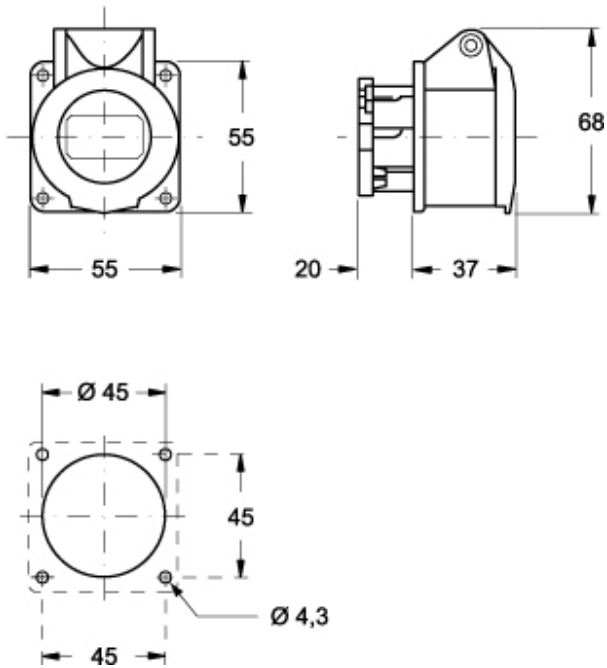
Part number

PB 16003 PI



Catalogue drawings

(16 / 32A) PB ... PI



Notes

Dimensions shown in mm are not binding and may be changed without notice.

- Compliant with EN 60309-1 and -2
- Enclosure, insert and spring lid in insulating, thermoplastic, self-extinguishing material
- RAL 7035 grey enclosure
- Spring lid colour coded according to the operating voltage and frequency
- Wall-mounting types PB...PP, top entry with threaded grommet (replaceable with cable gland)
- Flush-mounting types PB...PI, flange with anti-aging gasket
- Coupler types PB...PV, cable anchoring collar incorporated in the insert, entry with grommet
- Terminals with retained screws
- Nickel-plated contacts on request
- IP44 degree of protection (EN 60529)