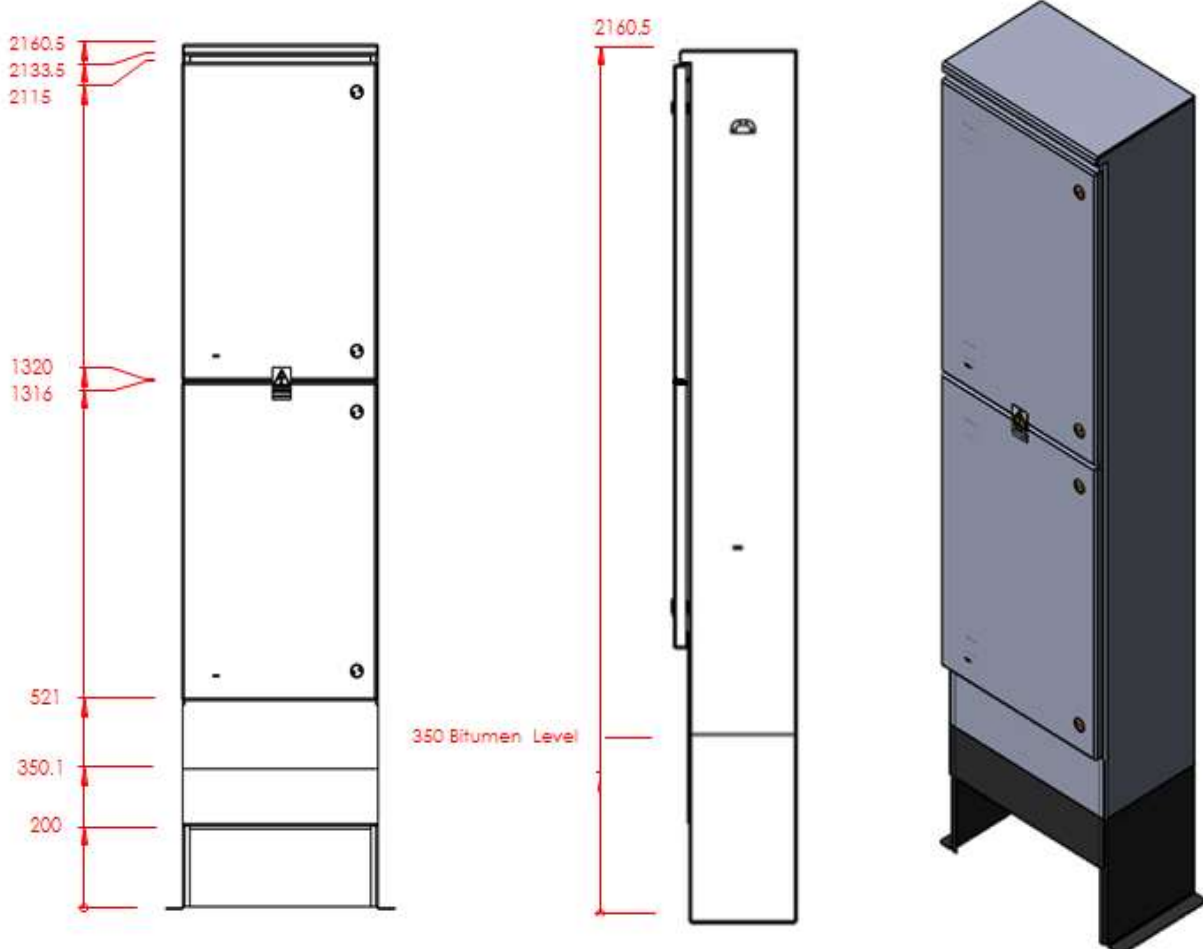




RFE Split Door Cabinet RFE2Door
Public Lighting>> Single/Three Phase Pillar (Metered)
c/w with Customer Section
Approved to ESB Specification



Type	Dimensions	Code
RFE Telecom Cabinet	1600 mm x 525 mm x 225 mm	RFE2door
8mmTriangular Key		54000/141
Enclosure comes complete with Lock, Vents, Mounting Plate (Mounting area for Top/Bottom 520 x 500) 3mm Mild Steel (Grade DD11, BS EN 10111:1998) Hot Dip Galvanising (BS EN ISO 1461:1999) to a thickness of 70 microns 180 Degree Hinged Door -Tri Locks Bitumised Plinth up to 350mm from the bottom IP44 Rating		