

Part number

PB 16002 PI



Flush-mounting socket outlet, PLUSO series, 2 poles, 16 A, 20 ÷ 25 V, straight

Product description

Product type	Socket Flush-mounting
Series	PB...PI, PLUSO
N. of poles	2 poles
Clock position	No key way
Specification	Straight

Technical data

Current	16 A
Voltage	20 ÷ 25 V
IP degree of protection	IP44

Further technical details

Weight	96,00 g
Operating temperature range (min, max)	-25°C ... +40°C

Material properties

Colour	RAL 7035 grey, RAL 4001 lilac
SCIP number	Ca7de37f-add8-4b77-9861-279c94903ade

Approvals / Standards

Reference standard	EN 60309-1 and -2
---------------------------	-------------------

General ordering information

EAN13 code	8015747060639
-------------------	---------------

Packaging Information

Packaging length	195,00 mm
Packaging height	135,00 mm
Packaging width	155,00 mm
Packaging weight	1,07 kg
Packaging volume	4,08 dm ³
Packaging description	Carton box
Packaging quantity	10 Pcs
Packaging EAN code	8015747082075

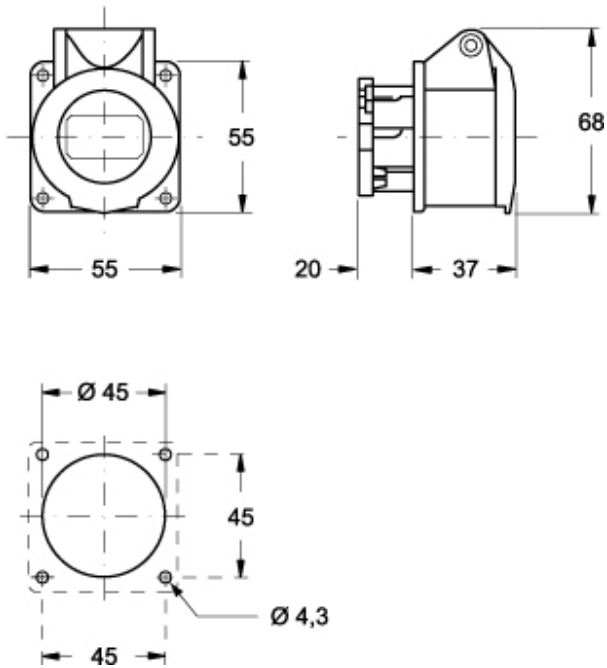
Part number

PB 16002 PI



Catalogue drawings

(16 / 32A) PB ... PI



Notes

Dimensions shown in mm are not binding and may be changed without notice.

-
- Compliant with EN 60309-1 and -2
 - Enclosure, insert and spring lid in insulating, thermoplastic, self-extinguishing material
 - RAL 7035 grey enclosure
 - Spring lid colour coded according to the operating voltage and frequency
 - Wall-mounting types PB...PP, top entry with threaded grommet (replaceable with cable gland)
 - Flush-mounting types PB...PI, flange with anti-aging gasket
 - Coupler types PB...PV, cable anchoring collar incorporated in the insert, entry with grommet
 - Terminals with retained screws
 - Nickel-plated contacts on request
 - IP44 degree of protection (EN 60529)
-