

Part number

# PB 16003 PP



Wall-mounting socket outlet, PLUSO series, 3 poles, 16 A, 20 ÷ 25 V

#### Product description

<b>Product type</b>	Socket Wall-mounting
<b>Series</b>	PB...PP, PLUSO
<b>N. of poles</b>	3 poles
<b>Clock position</b>	No key way

#### Technical data

<b>Current</b>	16 A
<b>Voltage</b>	20 ÷ 25 V
<b>IP degree of protection</b>	IP44

#### Further technical details

<b>Weight</b>	180,50 g
<b>Operating temperature range (min, max)</b>	-25°C ... +40°C

#### Material properties

<b>Colour</b>	RAL 7035 grey, RAL 4001 lilac
<b>RoHs conformity</b>	Compliant with exemption 6(c): copper alloy containing up to 4% lead by weight
<b>China RoHs - EFUP</b>	50
<b>REACH SVHC substances</b>	Yes Lead
<b>SCIP number</b>	Ca7de37f-add8-4b77-9861-279c94903ade

#### Approvals / Standards

<b>Reference standard</b>	EN 60309-1 and -2
---------------------------	-------------------

#### General ordering information

<b>EAN13 code</b>	8015747060776
-------------------	---------------

#### Packaging Information

<b>Packaging length</b>	208,00 mm
<b>Packaging height</b>	140,00 mm
<b>Packaging width</b>	290,00 mm
<b>Packaging weight</b>	2,05 kg
<b>Packaging volume</b>	8,44 dm <sup>3</sup>
<b>Packaging description</b>	Carton box
<b>Packaging quantity</b>	10 Pcs
<b>Packaging EAN code</b>	8015747060783

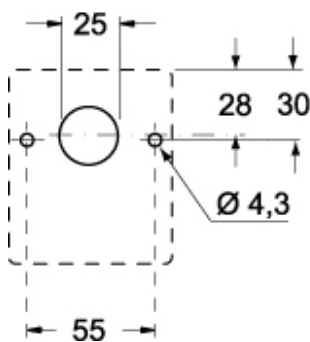
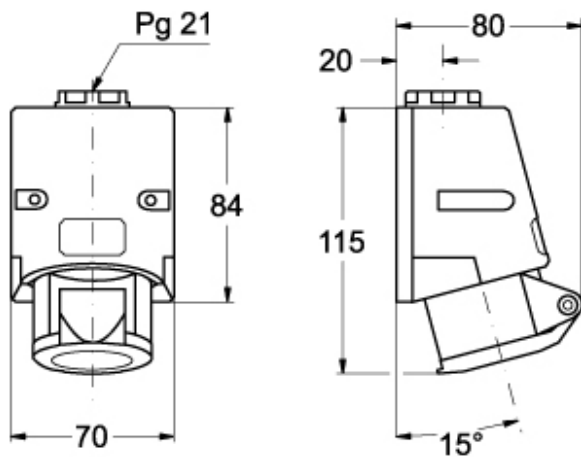
Part number

# PB 16003 PP



Catalogue drawings

(16 / 32A) PB ...PP



## Notes

Dimensions shown in mm are not binding and may be changed without notice.

- Terminals with retained screws
- Nickel-plated contacts on request
- IP44 degree of protection (EN 60529)

- Compliant with EN 60309-1 and -2
- Enclosure, insert and spring lid in insulating, thermoplastic, self-extinguishing material
- RAL 7035 grey enclosure
- Spring lid colour coded according to the operating voltage and frequency
- Wall-mounting types PB...PP, top entry with threaded grommet (replaceable with cable gland)
- Flush-mounting types PB...PI, flange with anti-aging gasket
- Coupler types PB...PV, cable anchoring collar incorporated in the insert, entry with grommet