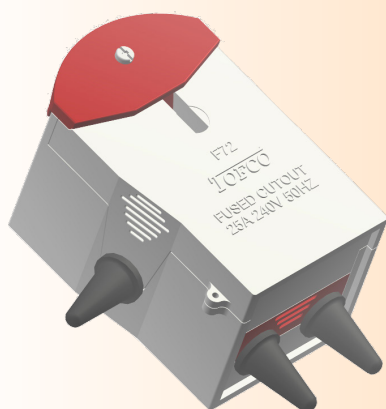


# F072 FUSE UNIT

## STREET LIGHTING COMPACT FUSED CUT-OUT



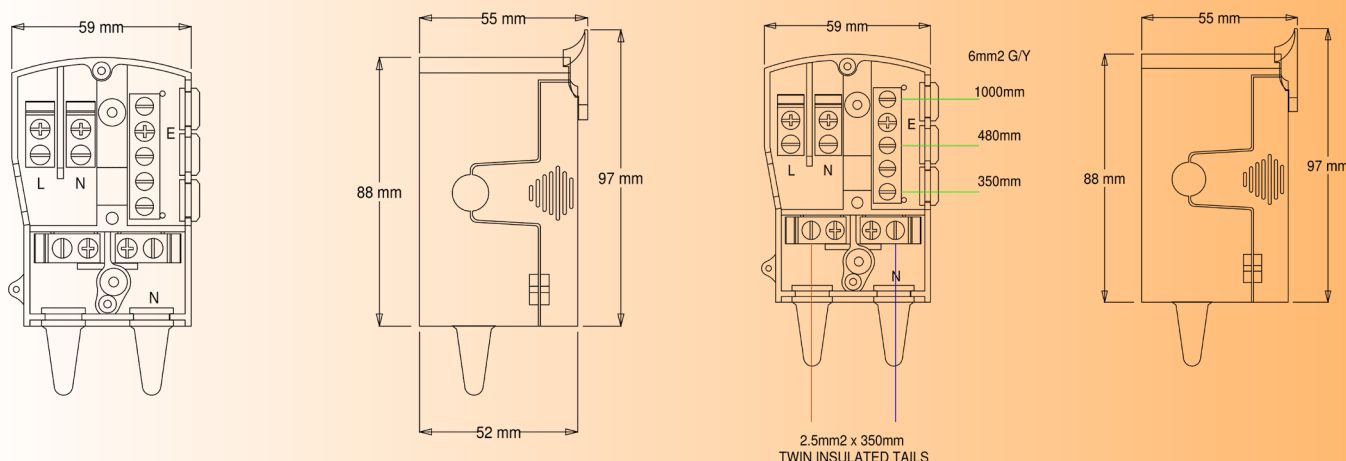
**Dimensions**  
Height: 97mm  
Width: 60mm  
Depth: 58mm



**BS88 Offset Tag Fuse links are available upon request 2Amps to 32Amps.**

230/240 Volt Street Lighting Cut-Out Fuse-Links to BS88: Part 1, IEC60269-1 Rated voltage: 240V a.c. Breaking range utilization category: gG Rated breaking capacity: 20kA at 240V a.c.

Designed to accept BS88 offset-tag fuse links up to 32A (fixing centres 38.5mm x 9.5mm). Cam-lever operation on fuse cover for ease of access. Supply cables fully shrouded, even after fuse cover removed. Double pole, single fuse unit. 4 Way internal earth block - suitable for up to 6mm<sup>2</sup> cable(s). Lead / lag operation on fuse / neutral legs. Lid fixing screw is captive and seated into brass insert. Captive wood screws supplied for backboard fixing. Other configurations are available including an F072-T fuse unit which comes pre-wired with 2.5mm x 350mm Brown / Brown and Blue / Blue twin insulated cables, 1x350mm, 1x480mm and 1x1000mm 6mm<sup>2</sup> Green / Yellow twin insulated cables. **Other configurations are also available, please contact us for details.**



**HEA / HEMSA Manufacturer  
of The Year 2018**

TOFCO CPP LIMITED. MEADOWFIELD IND. EST. PONTELAND, NORTHUMBERLAND, NE20 9SD

Office Tel: 01661 860001 Email: [info@tofco.co.uk](mailto:info@tofco.co.uk) Website: [www.tofco.co.uk](http://www.tofco.co.uk)

REGISTERED IN ENGLAND 5893596

10/2011