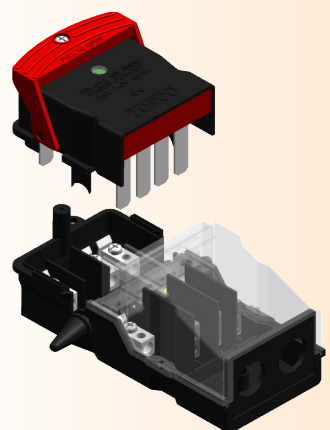
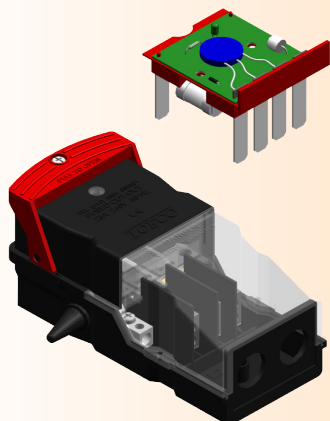


F144-SPD

MOULDED FROM FLAME RETARDANT SELF EXTINGUISHING ABS



Tofco BS7654:2010 double pole fuse unit incorporating bespoke series wired Type 2+3 combined SPD which sits within the fuse carrier of the F140, F141 or F144DP cut-out unit.

Single Phase, Double Pole, Single Fuse Upward Circuit provides loop in / out facility.

Moulded from flame retardant self extinguishing ABS.

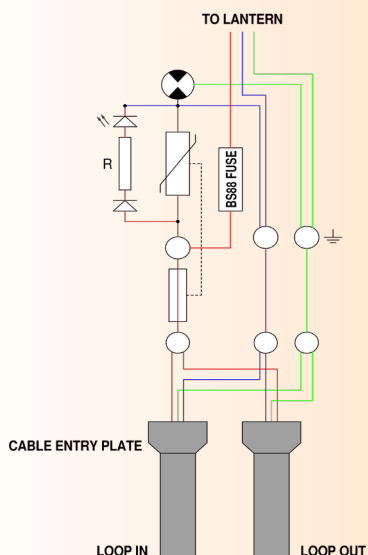
Designed to accept BS88 offset tag fuse links up to 25A (fixing centers 38.5x9.5mm).

Height 150 x Width 74 x Depth 74mm, 45mm from terminal block to cable entry plate.

Fitted with live, neutral and earth 2 (or 3) way incoming supply terminal blocks as standard for up to 25mm² circular conductors.

Fitted with combined Type 2+3 SPD designed to EN 61643-11.

TOFCO Model	F140/F141/F144-SPD	
Description	Compact single-phase type 2 (or 3) SPD	
Network	230 V single phase	
Connection Mode	L/N/PE	
Earthing System	TT, TN	
Max. AC operating voltage	Uc	255 Vac
Temporary Over Voltage (TOV) - 5 sec	UT	335 Vac withstand
Temporary Over Voltage (TOV) - 120 mn	UT	440 Vac disconnection
Residual current - Leakage current at Uc	Ipe	None
Max. Load Current	IL	25 A
Follow Current	If	None
Nominal discharge current - 15 x 8/20 μs impulses	In	5 kA
Max. discharge current - max. withstand @ 8/20 μs by pole	I _{max}	10 kA
Withstand on Combination waveform - Class III test	Uoc	10 kV
Protection level CM/DM @In (8/20μs) and 6kV (1.2/50μs)	Up	1.5 kV
Admissible short-circuit current	I _{sc}	10000 A
Connection to Network	by screw terminals. 25mm ² max.	
Failsafe Behavior	AC network cut off	
Disconnection Indicator	Green Light Off	
Remote Signaling of Disconnection	No	
Operating Temperature	-40 / +85°C	
Protection Rating	IP54	
Housing Material	Thermoplastic UL94-V0	
Standards Compliance	IEC 61643-11 / EN 61643-11 / UL1449 ed.4	



Extension Box Options

B1	Two Way Short Extension Box for up to 25mm ² cable Height 50 x Width 90 x Depth 67mm, 100mm from fused unit terminal block to cable entry plate.
B21	Two Way Long Extension Box, accepts up to 5 terminal blocks for up to 25mm ² cable Height 123 x Width 88 x Depth 58mm, 70mm from terminal block to entry plate.
B31	Three Way Long Extension Box, accepts up to 5 terminal blocks for up to 25mm ² cable Height 123 x Width 88 x Depth 95mm, 70mm from terminal block to entry plate.



**HEA / HEMSA Manufacturer
of The Year 2018**

TOFCO CPP LIMITED. MEADOWFIELD IND. EST. PONTELAND, NORTHUMBERLAND, NE20 9SD

Office Tel: 01661 860001 Email: info@tofco.co.uk Website: www.tofco.co.uk

REGISTERED IN ENGLAND 5893596