

- Three Phase 1/5A Current Transformer operated
- MID B+D Certified
- UL Registered
- Accuracy Class 0.5 (Active Energy)
- Bi-directional Measurement for kW and kWh
- Configurable Pulsed output (Import/ Export / Nett kWh)
- Modbus (SMART X96-5) or Mbus (SMART X96-5-Mbus)
- Multi Parameter measurement
- Phase Sequence indication
- Phase Summary Page
- 2nd~63rd Individual Harmonic Distortion
- Internal three phase supply
- Multi-Tariff
- Free Configuration software



The SMART X96 series is an advanced multifunction three-phase energy monitoring solution with optional outputs such as Pulsed, RS485 RTU Modbus and Mbus. Equipped with configuration and display buttons for ease of navigation through the various parameters and settings. Housed for 96mm panel mounting, IP51 protection and 1/5A current transformer operated. Selectable measurement modes using our free configurations software for kWh display, Total kWh (Import + Export), Import kWh and Net kWh (Export - Import) Certified in the UK according to EU Directive 2014/32/EU. MID Certificate number 0120 / SGS0288.

Specification table

Input	
Nominal input voltage	100-276V AC (L-N) 173-480V AC(L-L)
Max. continuous input overload voltage	120% of nominal
Max. short duration input voltage	2 x nominal voltage for 1 second
Nominal input voltage burden	< 0.2VA per phase
Nominal input current	1/5A
Nom. Input current burden	< 0.1 VA
Max. continuous input overload current	120% of nominal
Max. short duration input current	20 x nominal current for 1 second
Power supply	
Operating range	Self powered (from any of the three phases)
Supply burden	< 2W / 10 VA
Accuracy	
Voltage (V)	0.5% of range maximum
Current (A)	0.5% of range maximum
Frequency (Hz)	0.2% of mid-frequency
Power factor (PF)	1% of unity (0.01)
Active power (W)	1.0% of range maximum
Reactive power (VAr)	1.0% of range maximum
Apparent power (VA)	1.0% of range maximum
Active energy (kWh)	Class 0.5S IEC62053-22 Class 1.0 IEC62053-21
Reactive energy (kVArh)	1.0% of range maximum to IEC 62053-24
THD	2% to 63rd harmonic
Environment	
Operating temperature	- 25°C to +55°C
Storage temperature	-40°C to +70°C

Relative humidity	0 to 95%, non-condensing
Shock	30g in 3 planes
Vibration	10Hz to 50Hz, IEC 60068-2-6, 2g
Dielectric Voltage	4kV between voltage and current to earth
Altitude	3000m
Warm-up	1 minute

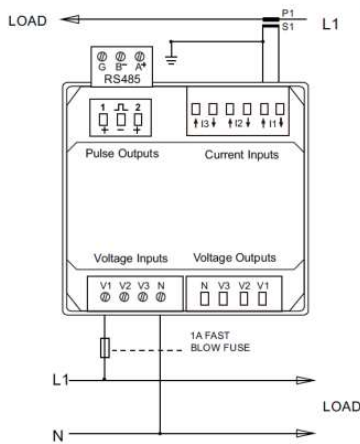
Outputs	
Pulsed output relay (configurable)	Opto-coupled, potential-free SPST-NO contact
Contact Rating current	2-27mA at 27V DC
Contact Rating voltage	5-27V DC
Pulse Width	60 / 100 / 200 ms
Pulse rate of SO 1	0.01 / 0.1 / 1 / 10 / 100 kWh/kVArh
Pulsed output of SO 2 (non-configurable)	3200IMP/kWh
Communications	Modbus RTU (RS485)
Type	2-wire half duplex
Baud rate	2400,4800, 9600, 19200, 38400
Address	1 to 247

Enclosure	
Enclosure Style	DIN 96 panel mount
Dimensions	96x96x62 mm
Panel cut-out	92x92mm
Panel thickness	1-2 mm
Protection rating	Ip51 (Indoor)
Material	UL 94-V0
Weight	340 g
Cable size	0.05mm-4mm stranded wire
Terminals	Voltage: Shrouded screw-clamp. Current: RJ12

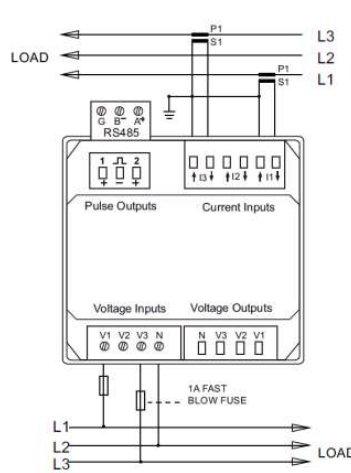
For more information on these products, please contact our sales team on 0203 758 3494 or email sales@eastroneurope.com

www.eastroneurope.com

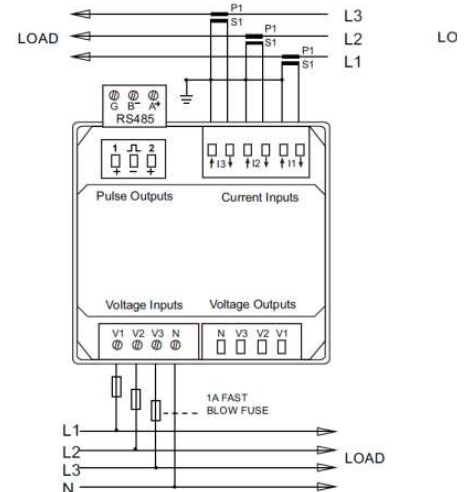
Wiring Configuration



Single phase two wires
(No Voltage Output on
SMART X96-5E Model)

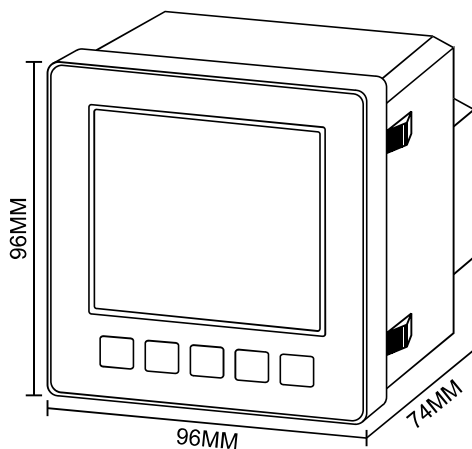


Three phase three wires
(N/A for SMART X96-5E Model)



Three phase four wires
(No Voltage Output on
SMART X96-5E Model)

Dimension Drawing



Ordering options

Meter Type	Description of Meter
SMART X96-5	Active Import/Export (kWh) 3x230/400V, 0.25-5(6)A, Transformer operated, Multifunction, RS485 Modbus RTU
SMART X96-5E	Active Import/Export (kWh) 3x230/400V, 0.25-5(6)A, Transformer operated, Multifunction, RS485 Modbus RTU, No THD, No Voltage Output and 1P2W and 3P4W only.

Conformity References

Electromagnetic Compatibility: EN61326-1:2013 & EN61326-2-3:2013

Low Voltage Directive: EN61010-1-2010 & EN61010-2-30-2010

MID DIRECTIVE: 2014/32/EU