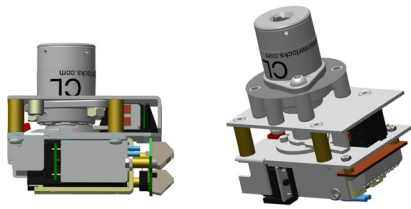




Power & Control Isolation

Mini Solenoid Controlled Key Switch (back of board)



The mini SS unit is used where the key needs to remain trapped until an electrical signal has been received, where space is limited.

Back of Board (BOB) - This unit can be fixed behind a machine control panel.

Weatherproof (BOB) - This unit is IP66 rated.

Switch Approvals



Mini Solenoid Controlled Key Switch

- Fits within a 65mm(w) x 95mm(L) x 55mm(H) envelope.
- Suitable for machines with a rundown cycle.
- The standard sequence is:
Solenoid de-energised - Key trapped,
Solenoid energised - Key free
(other sequences available upon request).
- 2 x NC 3A Key monitoring contacts.
- 2 x NC 3A Solenoid monitoring contacts.

Technical Specification

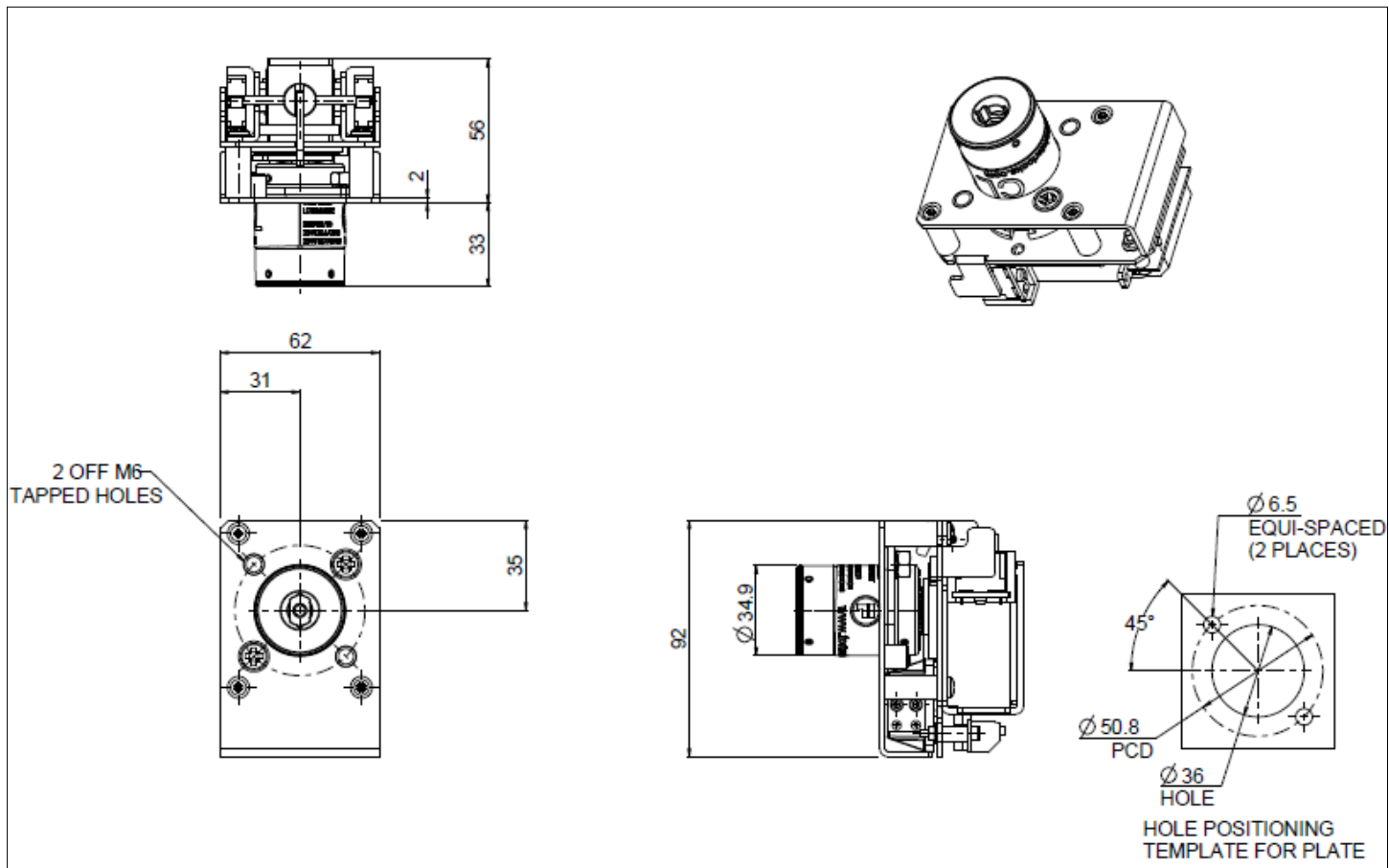
| | |
|---------------------------|--|
| Mounting Plate | Zinc plated mild steel |
| Lock Mechanism | Die-cast zinc body with stainless steel |
| B10d | 5,000,000 |
| Solenoid Power Rating | 12W (current at Nominal 24V DC = 500mA) |
| Solenoid Voltages | 24V DC 48V DC 110V AC / DC 230V AC / DC |
| Minimum Operating Current | 5mA at 20v |

Part No. / Ordering Information

| No. of Locks | Part No. |
|-------------------|---------------|
| 1 | MSS1 / MSS1WP |
| Lock Types | CL/ML |
| Solenoid Voltage | |
| 24V DC | D024 |
| 48V DC | D048 |
| 110V AC / 110V DC | A110 / D110 |
| 230V AC / 230V DC | A230 / D230 |

* Key and lock types must be specified separately

Dimensional Drawing - MSS (BOB)



Power & Control Isolation

Mini Solenoid Controlled Key Switch (back of board)

Dimensional Drawing - MSS (BOB) - Weatherproof Version

