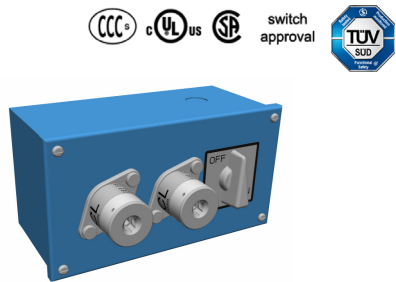


Power and Control Isolation
 Key Exchange
 Door Locks and Actuators

» Knob Operated Switch Control Unit

ODS



Knob Operated Switch Control Unit

The ODS releases key(s) after switching the knob into a visible off position

- Direct drive operation - positively opens contacts
- Mild steel enclosure as standard
- Stainless steel enclosure as standard in combination with CLSS or MLSS lock types
- Special switch ratings, and/or contact arrangements available on request

Safety Data		
Standards	EN60947-3:2009 ISO EN14119:2013 EN13849-1:2008 EN13849-2:2012 EN62061:2005	
Certifications	CE marked for all applicable directives	
Category	Cat. 4, PLe (EN/ISO 13849-1) and SIL3 (EN/IEC 62061)	
Functional safety data	B10d	5,000,000
	DC	High 99% (with correct monitoring)

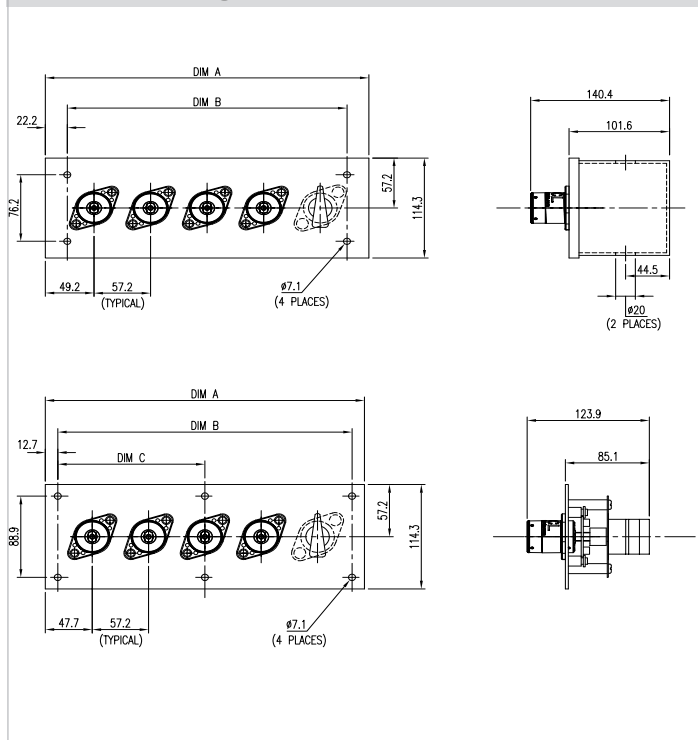
mGard range

mGard is the ultimate range of robust mechanical trapped key products. Trapped key technology offers purely mechanical access locks (removing the need for expensive wiring). mGard offers an extensive variety of modular interlocking solutions. Suitable for use in applications up to SIL3 (EN/IEC 62061), Category 4 and PLe (EN/ISO 13849-1), mGard is ideal for use in harsh environments and is tested to 1,000,000 operations.

Technical Specification

Enclosure	Mild steel with powder coat finish
Lock Mechanism	Die-cast zinc body with stainless operating mechanism (selected separately)
Key	Stainless steel (selected separately)
Minimum Operating Current	5mA at 20V

Dimensional Drawing



Article Codes

N° of Locks	Part N°
1 » 8	ODS1 » ODS8

Lock Type

Key and lock types must be specified separately

Horizontal/Vertical	Part N°
Horizontal	H1
Vertical	V1

Linking System

Cams, zinc alloy	C
Runnerbar	R

Mounting

Back of Board	B
Mild Steel Enclosure	MF
Stainless steel Enclosure	SF

Switch Current	Part N°
20A	A020
32A	A032
63A	A063
150A	A150

Switch Current	Part N°
4NO/0NC	40
2NO/2NC	20

Product	N° of secondary locks	Front of Board		In Enclosure			
		Single Row	Double row	DIM A	DIM B	DIM A	DIM B
ODS1	1	-	-	155.5	111.1	152.4	127.0
ODS2	2	-	-	212.7	168.3	209.6	184.2
ODS3	3	-	-	269.9	225.4	266.9	241.3
ODS4	4	-	-	327.0	282.6	323.9	298.5
ODS5	5	-	-	384.2	339.7	381.0	355.6
ODS6	6	-	-	441.4	396.9	438.2	412.8
ODS7	7	-	-	498.5	454.0	495.3	469.9
ODS8	8	-	-	555.6	511.2	522.5	527.0