



PRODUCT DATA SHEET

OP-EBT2

2 HOUR ELECTRONIC
BOOST TIMER

SOCKET-BOX MOUNTING

SELECTABLE BOOST

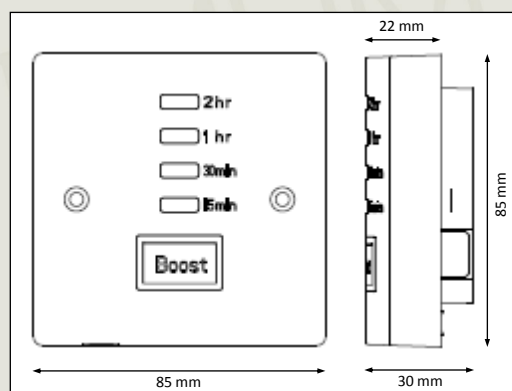
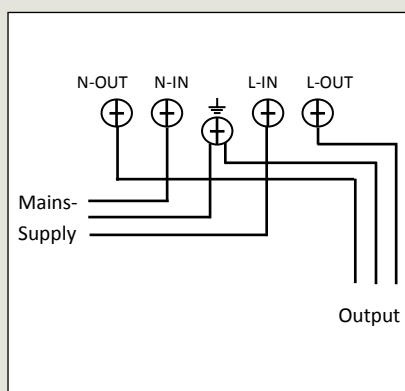
VISUAL INDICATOR

230V INPUT & OUTPUT



OP-EBT2 IS A ONE-BUTTON BOOST TIMER. THERE ARE FOUR PRE-SET TIMED OUTPUTS. SUITABLE FOR INSTALLATION ON A SURFACE OR IN-WALL PATRESS BOX. THE ELECTRONIC TIMER CONTROLS AN INTERNALLY LINKED OUTPUT RELAY, WITH A RESISTIVE RATING OF 16 AMPS. AN EARTH PAK TERMINAL IS PROVIDED. SURFACE-RUN CORD OUTLET WITH CABLE RESTRAINT. PRESS UP TO 4x TO SELECT BOOST OUTPUT, PRESS AGAIN TO CANCEL.

BOOST SELECTIONS	15 MIN / 30 MIN / 1 HR / 2 HR
POWER SUPPLY	230V 50Hz
DIMENSIONS	(see drawing below)
CONNECTIONS	4 X WIRE-PROTECT SCREW TERMINALS + EARTH PAK
WEIGHT	150g
RESISTIVE LOAD	16 AMPERES
TEMPERATURE RATING	-10T45
ACCURACY	QUARTZ REGULATED (typically +/- 1.0s)



TFC GROUP LLP, TOWER HOUSE, VALE RISE, TONBRIDGE, KENT TN9 1TB

Tel: 01732 351680 www.tfc-group.co.uk

Prepared for TFC Group LLP By: M. Edmonston

Issue 1: Sept 2018

Page 1 of 1