

Power and Control Isolation
Key Exchange
Door Locks and Actuators

» ATEX Solenoid Controlled Key Switch

EEXSS1



Ex ATEX Ex II 2Gc Ex d IIC T6



ATEX Solenoid Controlled Key Switch

A solenoid key switch for use in areas where explosive, flammable gases or dust particles may be present

- Direct drive operation
- The standard sequence is: Power to unit Off: Key trapped
Power to unit ON: Solenoid energised, key released.
When the key is removed this isolates power by opening safety circuits
- Special switch ratings, solenoid voltage and/or contact arrangements available on request
- Solenoid monitoring contacts as standard

Safety Data

Standards	EN60947-3:2009 ISO EN14119:2013 EN13849-1:2008 EN13849-2:2012 EN62061:2005	
Certifications	CE marked for all applicable directives	
Category	Cat. 4, PLe (EN/ISO 13849-1) and SIL3 (EN/IEC 62061)	
Functional safety data	B10d	5,000,000
	DC	High 99% (with correct monitoring)

mGard range

mGard is the ultimate range of robust mechanical trapped key products. Trapped key technology offers purely mechanical access locks (removing the need for expensive wiring). mGard offers an extensive variety of modular interlocking solutions. Suitable for use in applications up to SIL3 (EN/IEC 62061), Category 4 and PLe (EN/ISO 13849-1), mGard is ideal for use in harsh environments and is tested to 1,000,000 operations.

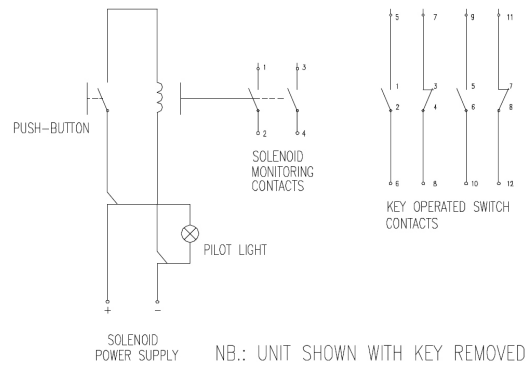
Article Codes

Mounting	Part N°
In enclosure (IP66)	EEXSS1
Lock Type	
Key and lock types must be specified separately	
Switch Current	Part N°
20A	A020
32A	A032
Switch Contacts	Part N°
4NO/0NC	40
2NO/2NC	22
Solenoid Voltage	Part N°
24V DC	D024
110V AC/DC	A110 / D110

Technical Specification

Rating	II 2G Ex d IIC T6
Lock mechanism	Full stainless steel (selected separately)
Internals	All stainless steel (selected separately)
Enclosure	Cast Iron with 2 pack epoxy finish
Cable gland entries	2 x M20 at the bottom (both plugged)
Ingress protection	IP66 (IEC 529)
Standard switching arrangement	2/NO, 2N/C
Solenoid Power Rating	12W (current at Nominal 24V DC = 500mA)
Key	Stainless steel
Minimum Operating Current	5mA at 20v

Wiring Diagram



Dimensional Drawing

