

Power and Control Isolation » Key Switch WP (water proof)

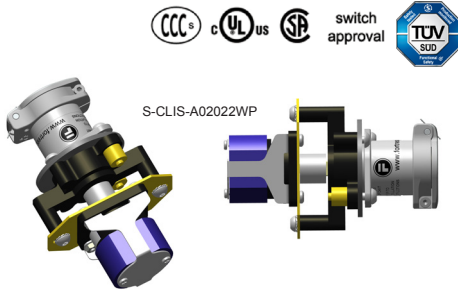
Key Exchange

Door Locks and Actuators

S



Key Switch WP (water proof)



The S unit is suitable for isolation or switching current and may be used to isolate power to machinery.

- Seal system is rated to IP67
- Direct drive operation - positively opens contacts
- The standard sequence is: Key trapped - Power on, Key free - Power off (other sequences can be specified)
- Special switch ratings and/or contact arrangements available on request

Safety Data		
IP Rating	IP65 IP66 IP67	
Standards	EN60947-3:2009 ISO EN14119:2013 EN13849-1:2008 EN13849-2:2012 EN62061:2005	
Certifications	CE marked for all applicable directives	
Category	Cat. 4, PLe (EN/ISO 13849-1) and SIL3 (EN/IEC 62061)	
Functional safety data	B10d	5,000,000
	DC	High 99% (with correct monitoring)

mGard range

mGard is the ultimate range of robust mechanical trapped key products. Trapped key technology offers purely mechanical access locks (removing the need for expensive wiring). mGard offers an extensive variety of modular interlocking solutions. Suitable for use in applications up to SIL3 (EN/IEC 62061), Category 4 and PLe (EN/ISO 13849-1), mGard is ideal for use in harsh environments and is tested to 1,000,000 operations.

Technical Specification

Mounting Plate	Plastic injection moulding with integrated O-Ring seal.
Lock Mechanism	Die-cast zinc body (optional stainless steel) operating mechanism (selected separately)
Key	Stainless steel (selected separately)
Minimum Operating Current	5mA at 20v

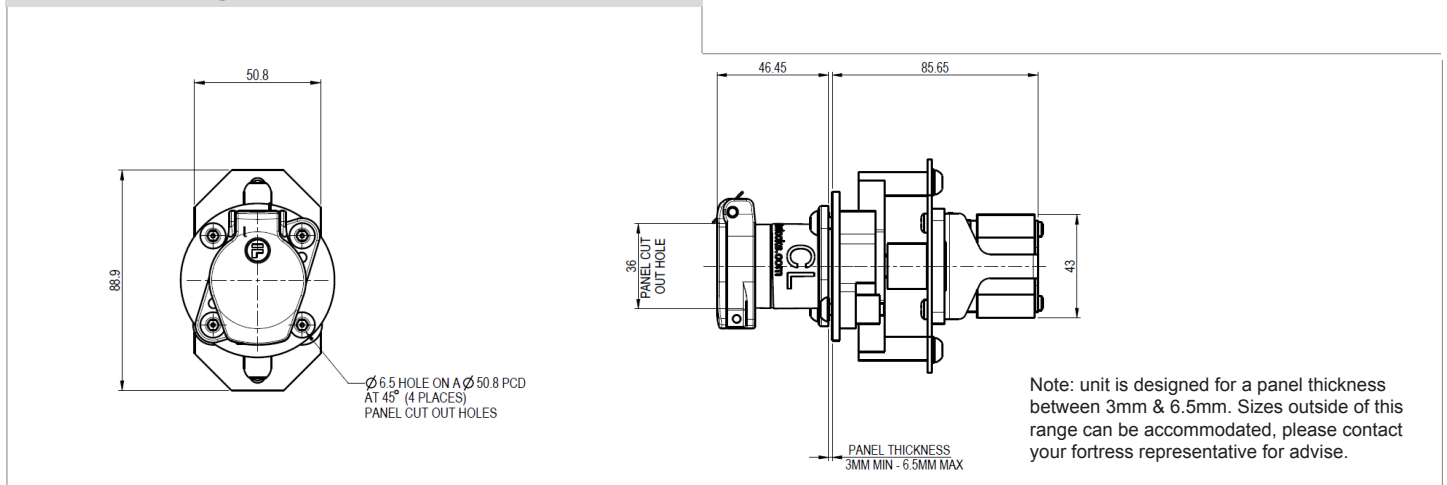
Wiring Diagram - Key Free

20A, 32A, 63A	1 / 2	3 / 4	5 / 6	N / N
20A	1 / 2	3 / 4	5 / 6	7 / 8
32A, 63A	1 / 2	3 / 4	5 / 6	7 / 8

Article Codes

Mounting	Part N°
Back of Board	S
Lock Type	
CL Lock no dustcover	CLIN
CL Lock with stainless steel dustcover	CLIS
Stainless Steel CL Lock with Stainless steel dustcover	CLSS
ML Lock no dustcover	MLIN
ML Lock with stainless steel dustcover	MLIS
Stainless Steel ML Lock with Stainless steel dustcover	MLSS
Switch Current	Part N°
20A	A020
32A	A032
63A	A063
Switch Contacts	Part N°
4NO/0NC	40
2NO/2NC	22
Type	
Water proof	WP

Dimensional Drawing - S-CLIS-A02022WP



Note: unit is designed for a panel thickness between 3mm & 6.5mm. Sizes outside of this range can be accommodated, please contact your fortress representative for advise.