

Power and Control Isolation » Solenoid Controlled Key Switch (in enclosure)

Key Exchange

Door Locks and Actuators

SS-F



Solenoid Controlled Key Switch (in enclosure)

The SS unit is used where the key(s) need(s) to remain trapped until an electrical signal has been received.

- Direct drive operation - positively opens contacts
- Suitable for machines with a rundown cycle
- The standard sequence is: Solenoid de-energised - Key trapped, Solenoid energised - Key free (other sequences available upon request)
- Special switch ratings, solenoid voltage and/or contact arrangements available on request
- Solenoid monitoring contacts as standard
- Polycarbonate moulded enclosure
- IP66 Option Available

Safety Data		
Standards	EN60947-3:2009 ISO EN14119:2013 EN13849-1:2008 EN13849-2:2012 EN62061:2005	
Certifications	CE marked for all applicable directives	
Category	Cat. 4, PLe (EN/ISO 13849-1) and SIL3 (EN/IEC 62061)	
Functional safety data	B10d	5,000,000
	DC	High 99% (with correct monitoring)

mGard range

mGard is the ultimate range of robust mechanical trapped key products. Trapped key technology offers purely mechanical access locks (removing the need for expensive wiring). mGard offers an extensive variety of modular interlocking solutions. Suitable for use in applications up to SIL3 (EN/IEC 62061), Category 4 and PLe (EN/ISO 13849-1), mGard is ideal for use in harsh environments and is tested to 1,000,000 operations.

Technical Specification

Mounting Plate	Polycarbonate moulded enclosure
Lock Mechanism	Die-cast zinc body with stainless steel operating mechanism (selected separately)
Key	Stainless steel (selected separately)
Solenoid Power Rating	12W (current at Nominal 24V DC = 500mA)
Ingress Protection	IP66
Minimum Operating Current	5mA at 20v

Article Codes

N° of Locks	Part N°
1 (SS2-F » SS8-F on request)	SS1

Lock Type

Key and lock types must be specified separately

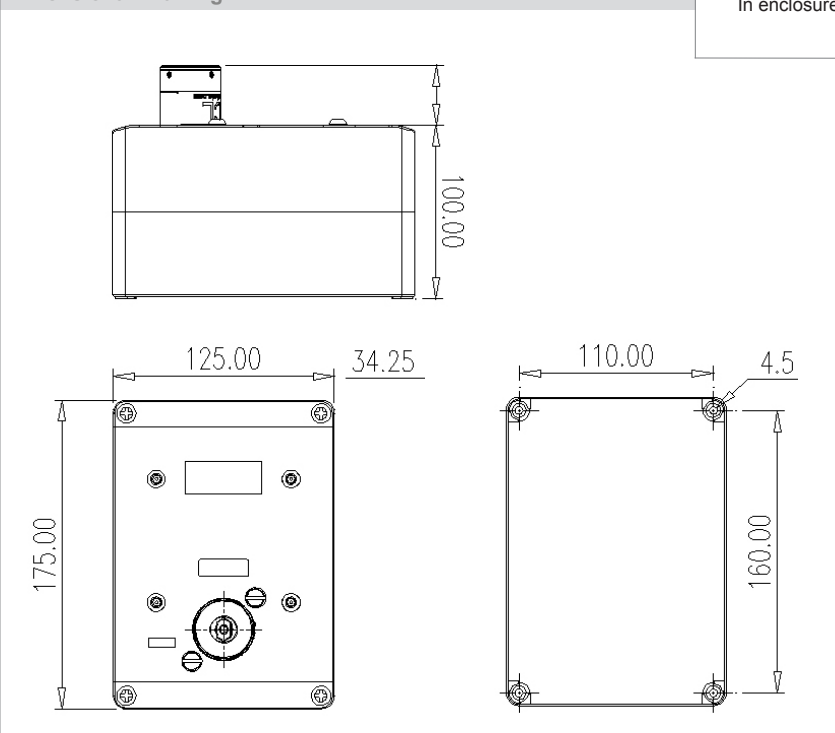
Switch Current	Part N°
20A	A020
32A	A032
63A	A063

Switch Contacts	Part N°
4NO/0NC	40
2NO/2NC	22

Solenoid Voltage	Part N°
24V DC	D024
110V AC / 110V DC	A110 / D110

Mounting	Part N°
In enclosure (IP66)	F

Dimensional Drawing



Wiring Scheme

Rotary switch contact pole configuration	1 2 3 4 5 6 7 8	1 2 3 4 5 6 7 8	1 2 3 4 5 6 7 8
Key position	key free	key inserted but not trapped	key trapped
Solenoid and monitoring switches wiring details from the back of the unit	A B C D E F	A B C D E F	A B C D E F