

# Conveyor Belt Misalignment Switch

---

**MRS**



## APPLICATION

Kiepe Belt Misalignment Switches MRS are used in conveyor installations for monitoring the true running of conveyor belts. Constructed from fibre reinforced plastic and stainless steel the MRS, being resistant to ammonia can successfully operate in extreme and harsh environments such as salt mines, composting, recycling plants as well as harbour areas.

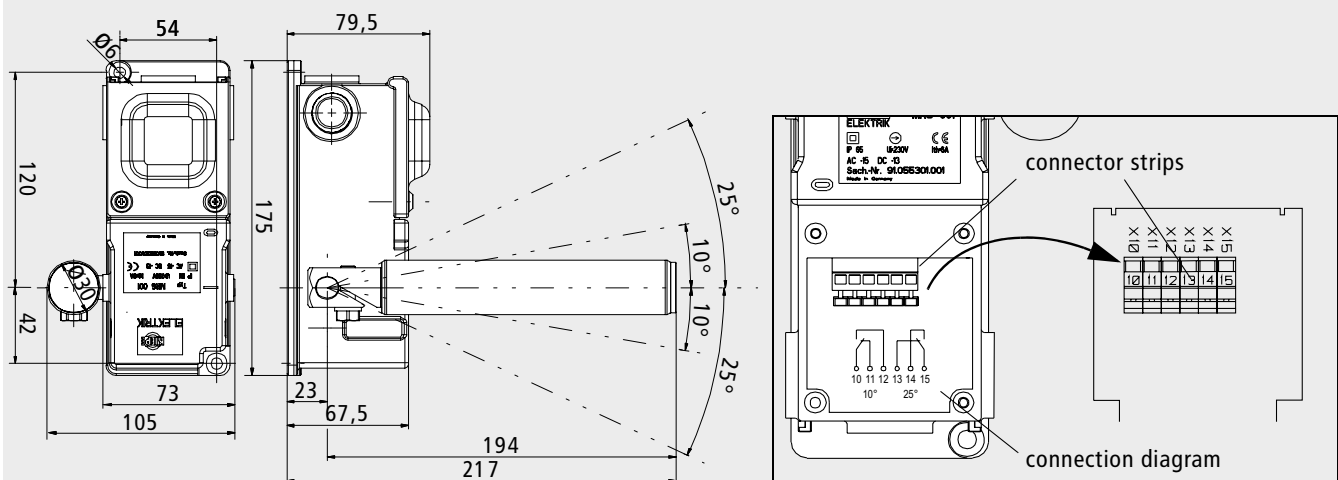
The stainless steel roller (30 mm diam.) permits the monitoring of fast running conveyors up to 5 m/s. Standard features include two self cleaning switching elements.

## TECHNICAL DATA

Device complies with	EN 60947-5-1
Housing	PBT GF20; yellow, similar to RAL 1004
Mounting	By means of two M6 bolts
Cable entry	3 x M25 x 1,5
Protection	IP 67 according to EN 60529
Ambient temperature	-25 °C ... +70 °C
Switching system	2 self cleaning changeover contacts
Switching points	10° and 25°
Excursion	75° max.
Rated Insulation Voltage $U_i$	230V
Rated impulse withstand voltage $U_{imp}$	2.5kV, Degree of pollution III
Conventional thermal current $I_{th}$	6 A
Switching capacity	AC-15: 230 V / 1,5 A DC-13: 60 V / 0,5 A
Enclosure Protection	IP 67 according to EN 60529
Connections	2,5 mm <sup>2</sup> max.
Weight	0.8 kg
Ordering code	91.063 294.001

Note: The devices may be used in control circuits only!

## DIMENSIONS



Subject to change without notice.

**Kiepe Electric GmbH**

40599 Düsseldorf (Germany) · Kiepe-Platz 1  
 Phone +49(0)211 74 97-0 · Fax +49(0)211 74 97-420  
 info@kiepe-elektrik.com · www.kiepe-elektrik.com

444/05-07/17