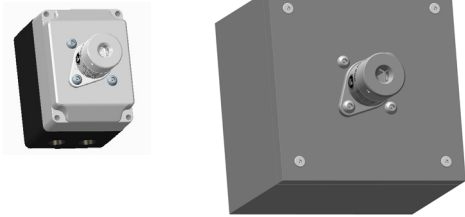




Key Switch (in metal enclosure)



The SR unit is suitable for isolation or switching current and may be used to isolate power to machinery.

- Direct drive operation - positively opens contacts
- The standard sequence is: Key trapped - Power on, Key free - Power off (other sequences can be specified)
- Special switch ratings and/or contact arrangements available on request
- Robust metal enclosure
- IP66 rated

Safety Data

Standards	EN60947-3:2009 ISO EN14119:2013 EN13849-1:2008 EN13849-2:2012 EN62061:2005	
Certifications	CE marked for all applicable directives	
Category	Cat. 4, PLe (EN/ISO 13849-1) and SIL3 (EN/IEC 62061)	
Functional safety data	B10d	5,000,000
	DC	High 99% (with correct monitoring)

mGard range

mGard is the ultimate range of robust mechanical trapped key products. Trapped key technology offers purely mechanical access locks (removing the need for expensive wiring). mGard offers an extensive variety of modular interlocking solutions. Suitable for use in applications up to SIL3 (EN/IEC 62061), Category 4 and PLe (EN/ISO 13849-1), mGard is ideal for use in harsh environments and is tested to 1,000,000 operations.

Technical Specification

Enclosure	Die-cast zinc for A02040 & A02022 Mild Steel for all other units
Lock Mechanism	Die-cast zinc body with stainless steel operating mechanism (selected separately)
Key	Stainless steel (selected separately)
Ingress Protection	IP66
Minimum Operating Current	5mA at 20v

Article Codes

<u>Mounting</u>	Part N°
In enclosure (IP65/66/67)	SR

<u>Lock Type</u>	
Key and lock types must be specified separately	

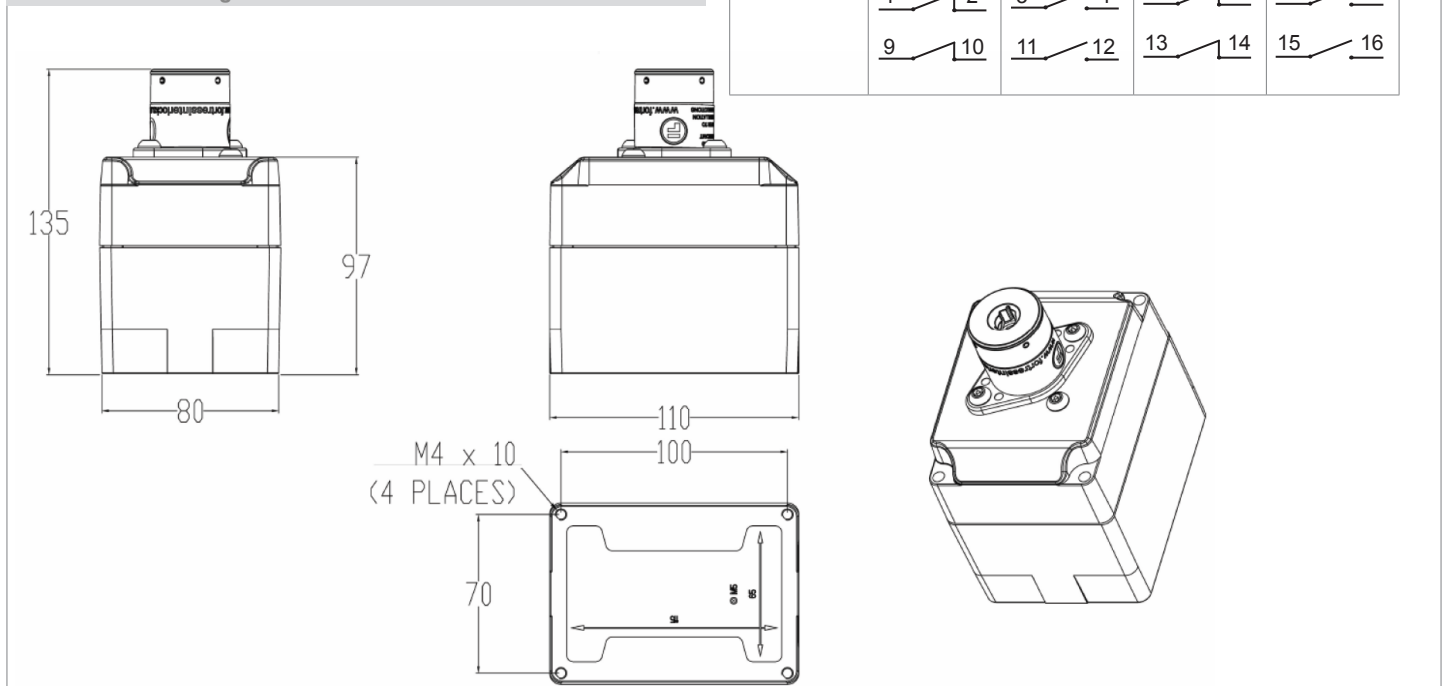
<u>Switch Current</u>	Part N°
20A	A020
32A	A032
63A	A063

<u>Switch Contacts</u>	Part N°
4NO	40
2NO/2NC	22
4NO/4NC (20A only)	44

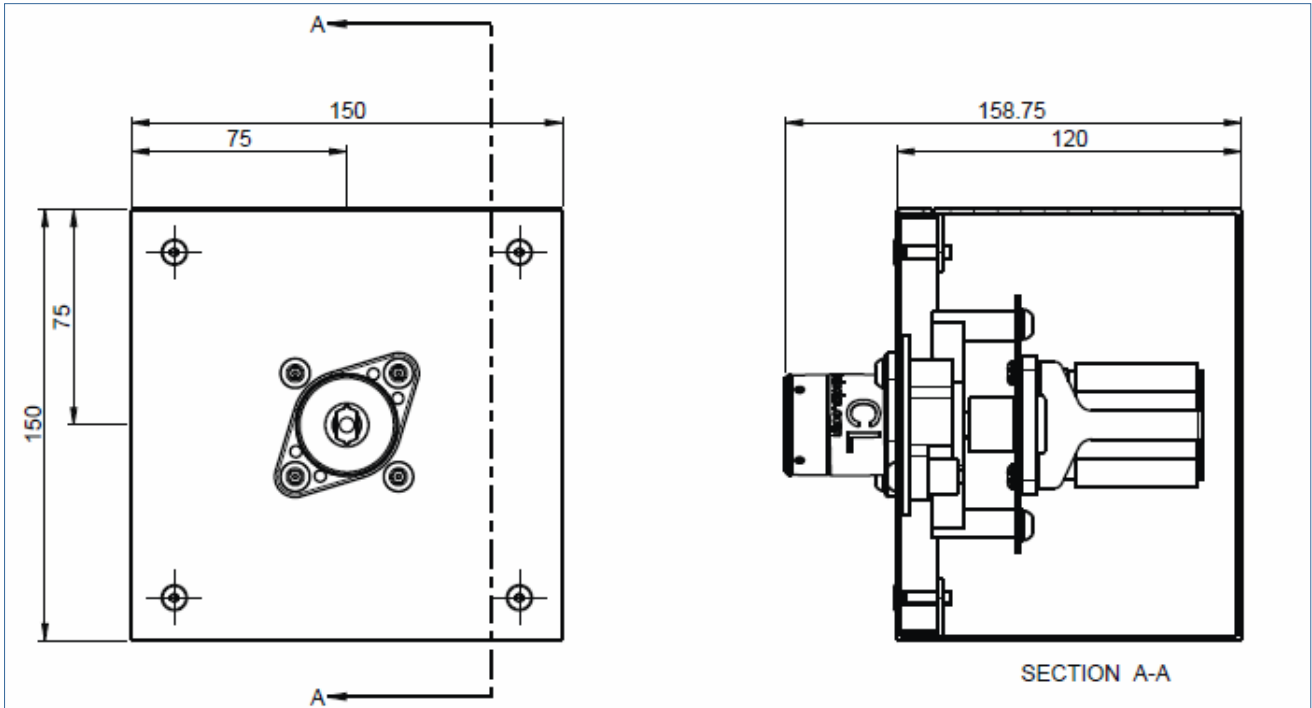
Wiring Diagram

4NO	1 — 2	3 — 4	5 — 6	7 — 8
2NO/2NC	1 — 2	3 — 4	5 — 6	7 — 8
4NO/4NC	1 — 2	3 — 4	5 — 6	7 — 8
	9 — 10	11 — 12	13 — 14	15 — 16

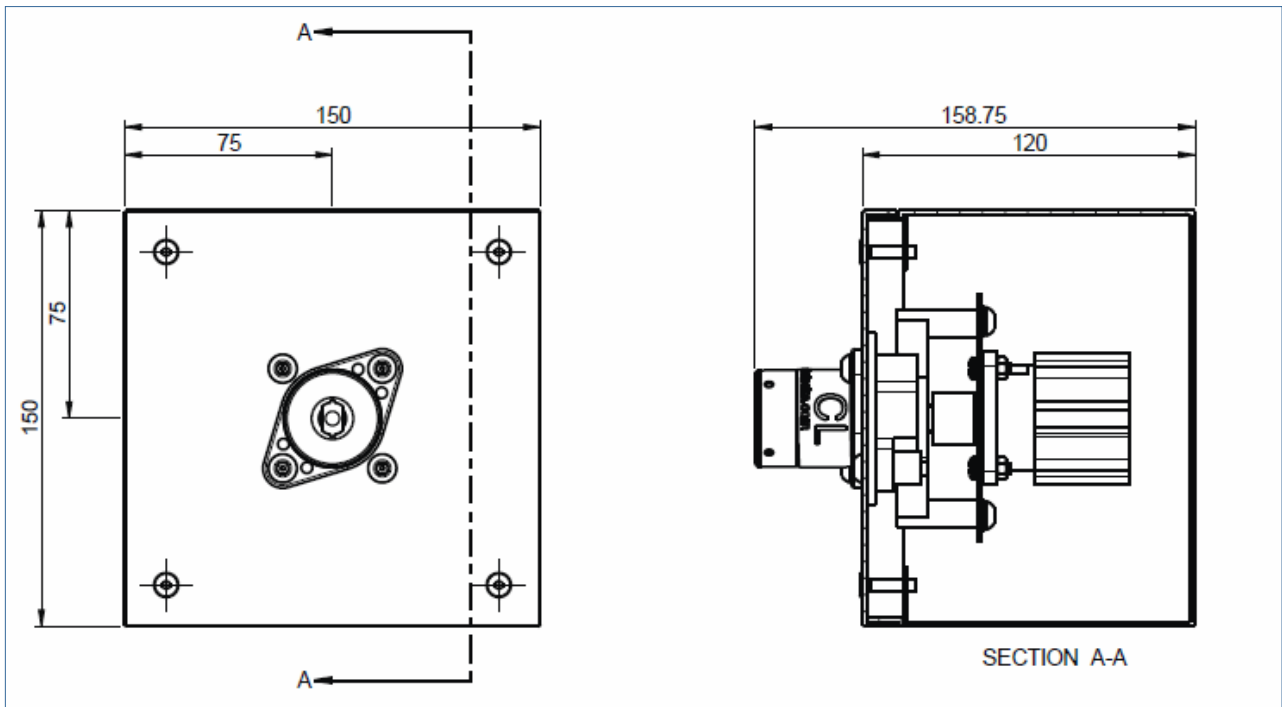
Dimensional Drawing - SR-CLIN-A02040 / SR-CLIN-A02022



Dimensional Drawing - A02044



Dimensional Drawing - A03240 / A03222



Dimensional Drawing - A06322 / A06340

