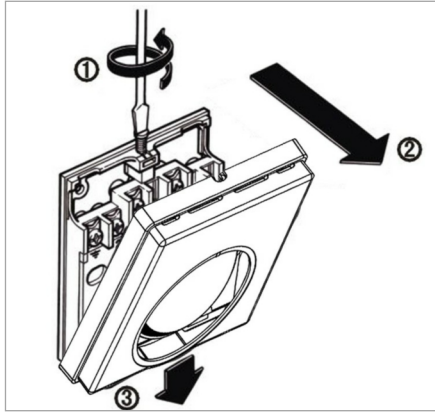
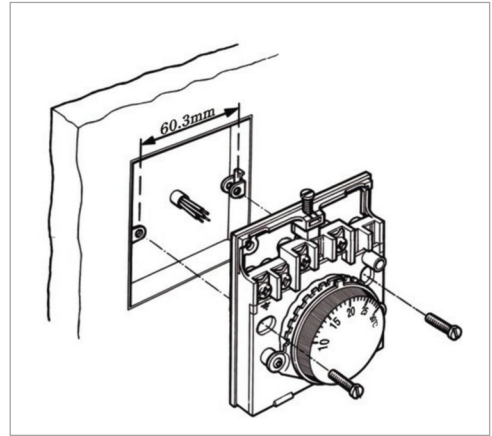


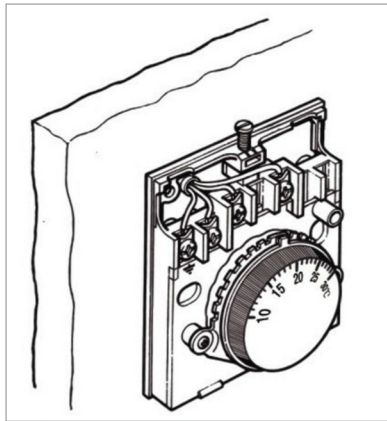
ROOM THERMOSTAT INSTALLATION GUIDE



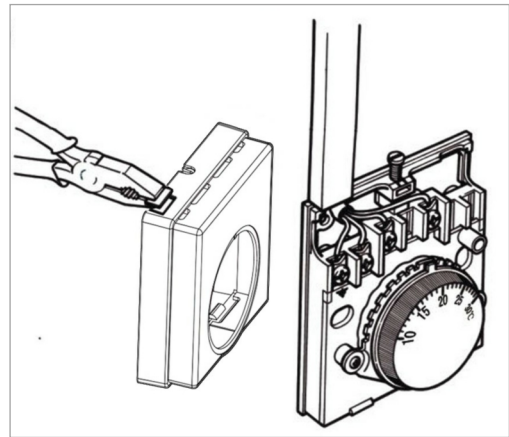
UNDO RETAINING SCREW TO REMOVE COVER



FIT BACKPLATE TO WALL OR BACK-BOX

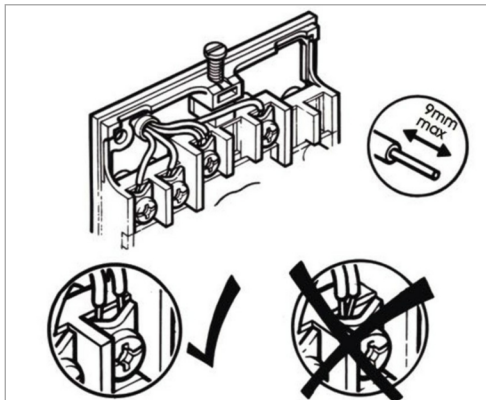


IN-WALL WIRING

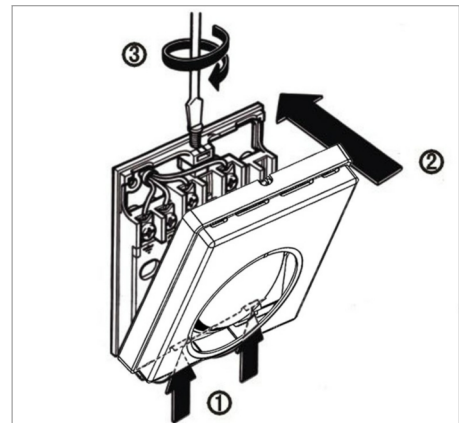


SURFACE WIRING (4 BREAKOUTS AVAILABLE)

CONNECT WIRING ACCORDING TO THERMOSTAT MODEL (SEE DIAGRAMS BELOW)

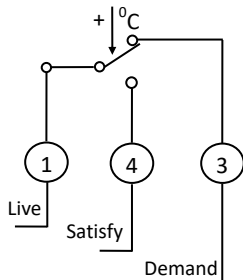


TWO WIRES SHOULD BE FITTED EITHER SIDE OF THE CENTRAL TERMINAL PLATE SCREW



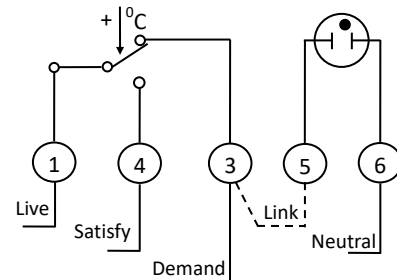
RE-FIT TOP COVER AND TIGHTEN RETAINING SCREW

WIRING DIAGRAMS



STT RS1 / STT RFSN / STTPRS

FOR MAINS OR LOW VOLTAGE APPLICATIONS
Product Version: V2.0 (printed on label inside lid)



STT RSL Installer must fit link 3 - 5

FOR MAINS 230V 50Hz APPLICATIONS ONLY
(Lamp will not function on lower voltages)