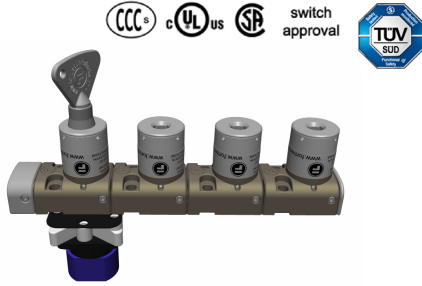


Power and Control Isolation
 Key Exchange
 Door Locks and Actuators

» Modular Key Exchange Unit with Switch

XMR
XMRS



Modular Key Exchange Unit with Switch

Besides exchanging one or more keys for a number of other keys the XMR is additionally fitted with rotary switch(es) that can be used for power or control isolation.

- No product handling issues
- Varied combination of isolation/access keys possible
- Sequential or Non-sequential key operation
- Possible to add modules to existing configurations
- Enclosed version (XMR-E) in Polycarbonate (IP66) enclosure is available
- Switches can be fitted behind multiple lock modules although 63A Switches cannot have a switch on an adjacent module

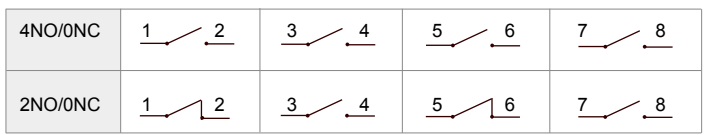
Safety Data		
Standards	EN60947-3:2009 ISO EN14119:2013 EN13849-1:2008 EN13849-2:2012 EN62061:2005	
Certifications	CE marked for all applicable directives	
Category	Cat. 4, PLe (EN/ISO 13849-1) and SIL3 (EN/IEC 62061)	
Functional safety data	B10d	5,000,000
	DC	High 99% (with correct monitoring)

mGard range

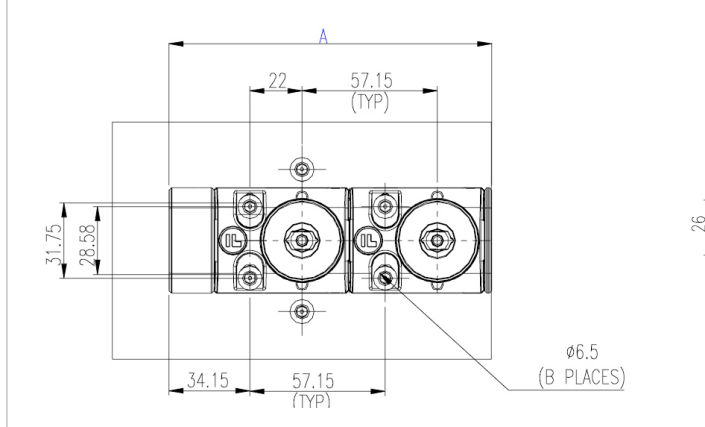
mGard is the ultimate range of robust mechanical trapped key products. Trapped key technology offers purely mechanical access locks (removing the need for expensive wiring). mGard offers an extensive variety of modular interlocking solutions. Suitable for use in applications up to SIL3 (EN/IEC 62061), Category 4 and PLe (EN/ISO 13849-1), mGard is ideal for use in harsh environments and is tested to 1,000,000 operations.

Technical Specification	
Body Housing XMR	Die-cast zinc body with pearl bronze finish
Body Housing XMSR	Full stainless steel to S316
Internals XMR & XMSR	All stainless steel components
Lock Mechanism XMR	Die-cast zinc body with stainless operating mechanism (selected separately)
Lock Mechanism XMRS	Full stainless steel to S316 (selected separately)
Key	Stainless Steel to S316 (selected separately)
Enclosure (if fitted)	Polycarbonate (IP66)
Minimum Operating Current	5mA at 20v

Wiring Diagram



Dimensional Drawing



Article Codes

N° of Locks	Part N°
2 » 10	XMR2 » XMR10
N° of Locks (Full Stainless Steel)	Part N°
2 » 5	XMSR2 » XMSR5

Lock Type	Key and lock types must be specified separately	
Switch Current	20A, 32A, 63A	
Switch Contacts	4NO / 0NC, 2NO / 2NC	A020, A032, A063
Mounting	Sealed Enclosure (IP66) Back of Board	-E -P

Product	Dimension A Overall length	Dimension B N° of slotted holes	Dimension C N° of CL locks
XM(S)R2	136.30	2	2
XM(S)R3	193.45	4	3
XM(S)R4	250.60	6	4
XM(S)R5	307.75	8	5
XMR6	364.90	10	6
XMR7	422.05	12	7
XMR8	479.20	14	8
XMR9	536.35	16	9
XMR10	593.50	18	10